

rh logic 400/300



The RH Logic 400/300 is one of our most popular chair ranges thanks to its ergonomic features and outstanding durability. The RH Logic 400 has a high back, the RH Logic 300 a lower back. Both are based on 2PP™, our unique philosophy of active sitting. Each chair is available in different fabrics, varying seat sizes, as a 24-hour chair, in an ESD-approved variant and in a version with extra comfortable pads. The Logic 400/300 is easy to adjust and its controls are easily accessed. The angle of the backrest can be adjusted separately, while the chair maintains all of its basic settings even when you use the tilt mechanism.

#### **Our philosophy of ergonomics**

At RH Chairs we have our own philosophy of ergonomics based on the two important principles of upright posture and active sitting. These principles improve breathing and circulation and stimulate the muscles. The philosophy is evident in the RH Logic 400/300 through the unique "two-point principle" or 2PP™, which ensures that your body receives the variation and support it requires as you move. Because the chair's basic settings do not change, this helps you to do more and perform better.

---

**The neckrest** can be adjusted by height and depth, providing support for the neck and comfort for the rest of the body.

---

**The backrest** has a generous adjustable lumbar support, providing comfort for the entire back. The height of the backrest is easily adjusted while sitting and its tapered design and "Tvedts" cushion allow your upper body to move freely.

---

**The angle of the backrest** can be adjusted separately, enhancing individual comfort and support.

---

**Seat height and depth** can be adjusted quickly and simply. The controls can be accessed even when seated and are marked with pictograms to make them easy to understand. The correct height improves blood flow in the legs while the correct seat angle provides better comfort and support.

---

**The lumbar support** provides extra support for the lower back and, consequently, for the entire back. The pump adjusts the amount of air in a lumbar cushion, providing extra support.

---

**The resistance of the tilt mechanism is simply adjusted** according to body weight and height. This allows the chair to follow your movements without the need to exert muscular force to push the chair into new positions. The control is located beneath the seat.

---

**Different base** designs are available: graphite, black or polished aluminium.

---

**Castors** for both hard and soft floors are available.

# rh logic 400/300



**Armrests** are optional but are recommended since they provide relief for the shoulders. Two armrest variants are available. Both can be adjusted by height and width, while one can also be adjusted by depth and the other can be rotated 360 degrees.

**The seat** includes a layer of wool, providing improved ventilation and making it cooler than conventional pads. The waterfall edge reduces pressure on the underside of the thighs, enhancing circulation. Choose between two different seat sizes. The depth of the seat can be adjusted separately. Both the seat and backrest pads are easily exchanged. Should they become worn or stained or you want to change them for any other reason, you don't need to replace the entire chair, which is not only cost effective and practical but also great for the environment.

**The tilt mechanism** is infinitely adjustable, with a smooth action that can be locked in any chosen position. Dynamic seating means the chair follows your every movement regardless of working position providing complete support, enabling you to always sit correctly and breathe properly.



Different styles for different users  
The following versions of the RH Logic 400/300 are available: Standard, Comfort, Elegance and 24 hr. RH Logic 400 has a high back, RH Logic 300 a lower back. The Elegance and Comfort versions include additional options while the 24 hr has extra padding. All can be equipped with various accessories.

---

#### **RH Logic 300**

As standard, the RH Logic 300 is equipped with castors for soft floors and a graphite aluminium base with matching infills. Lumbar support is available as an option.

#### **RH Logic 300 Comfort**

As standard, the RH Logic 300 Comfort is equipped with extra padding and improved ventilation, castors for soft floors and a graphite aluminium base with matching infills.



---

#### **RH Logic 400**

As standard, the RH Logic 400 is equipped with an adjustable pump lumbar support, castors for soft floors and a graphite aluminium base with matching infills.

#### **RH Logic 400 Elegance**

As standard, the RH Logic 400 Elegance is equipped with an adjustable air-filled lumbar support, upholstered backshell, castors for soft floors and a graphite aluminium base with matching infills.

#### **An environmentally intelligent chair**

All chairs from RH are as kind to the environment as they are good for the body. Like all our chairs, the RH Logic 400/300 is 100 per cent recyclable. Many of its components are made from recycled materials, our manufacturing processes use low energy technology and, when your RH Logic 400/300 has come to the end of its working life, it can be returned for recycling.

#### **Exchangeable pads**

The seat and backrest pads are exchangeable – so you will not need to replace your chair just because the upholstery needs to be changed. This benefits both your wallet and the environment.

#### **RH Logic 400 ESD**

This is the same chair as the RH Logic 400 but specially adapted to ESD environments. Not available with neckrest.

#### **RH Logic 400 24 hr**

A chair that is used all day long naturally needs to be extra comfortable and durable. RH Logic 400 as a 24 hr chair is equipped with extra hardwearing fabric, a backrest and seat pad in natural fibre to give the chair maximum ventilation. Logic 400 is tested and approved to EU standards (EN 1335, compliant with ISO 7173 for 24 hr chairs). As standard, the RH Logic 400 24 hr is equipped with a pump-adjusted lumbar support, castors for soft floors and a graphite aluminium base.

#### **Guarantee**

An RH chair is built to withstand stress and to last. Before it leaves our factory it goes through rigorous tests and checks. For this reason, we also provide a five-year guarantee on the RH Logic 400/300. In addition, the RH Logic 400/300 has been tested and approved in accordance with Möbelfakta EN-1335.



## Options



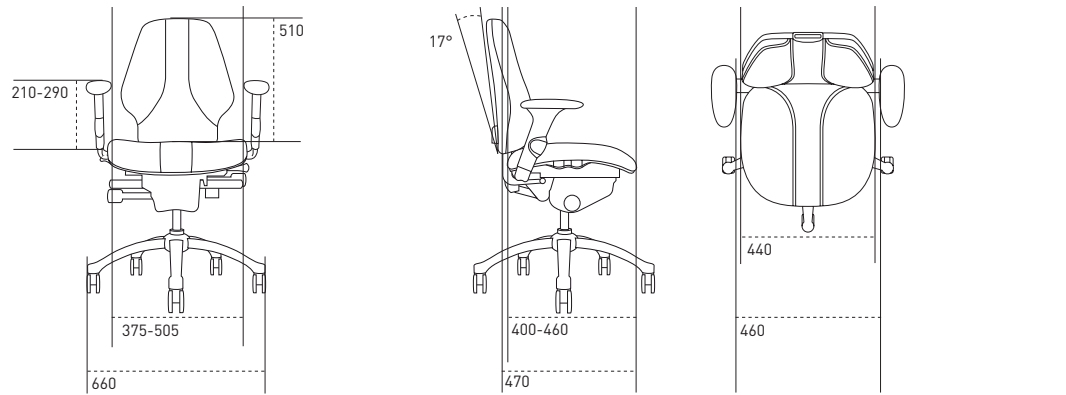
### RH Logic 400/300

For the sake of flexibility, the RH Logic 400/300 offers a highly generous range of accessories. Naturally, you can also buy the basic chair and add accessories as you need them.

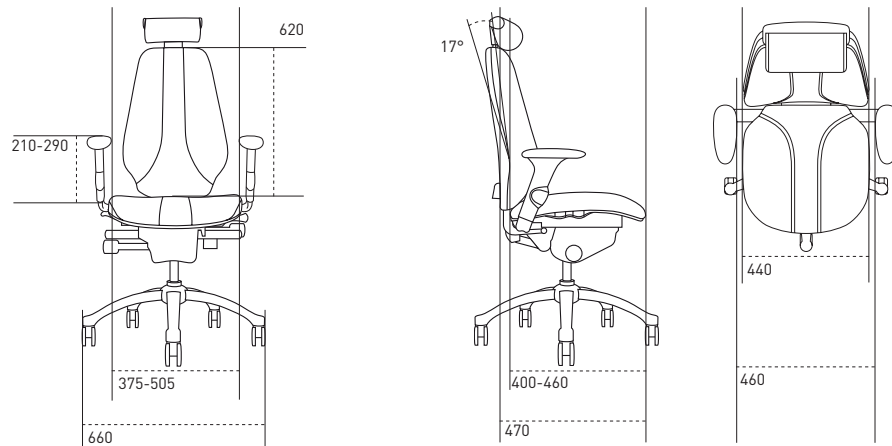
- 1 Neckrest
- 2 Coat-hanger
- 3 Armrest 8E (height, depth, width)
- 4 Armrest 8S (height, width, rotating)
- 5 Exchangeable pad
- 6 Extra-large seat
- 7 Decorative stitching
- 8 Castors 7H for hard floors
- 9 Base 5MP polished aluminium

Gas stem available for different heights  
Standard, approx. 415-525 mm  
4P, approx. 455-565 mm

## RH Logic 300



## RH Logic 400



Chair model	Logic 300	Logic 400
Overall depth	400-460 mm	400-460 mm
Seat depth	470 mm	470 mm
Seat width	460 mm	460 mm
Overall height	410-530 mm	410-530 mm
Seat angle adjustment	+7°-14°	+7°-14°
Height of lumbar support above the seat	160-235 mm	195-270 mm
Backrest height	510 mm	620 mm
Backrest height adjustment (from seat)	545-620 mm	650-725 mm
Backrest width	440 mm	440 mm
Back angle adjustment	17°	17°
Height of armrest above seat	210-290 mm	210-290 mm
Distance between armrests	375-505 mm	375-505 mm
Diameter of base	660 mm	660 mm

The design and specifications of RH Chairs' products are developed on an ongoing basis and the above formulations should not be perceived as completely final.



**United Kingdom**

RH Chairs  
Upper Tulse Hill Trading Estate  
5 Somers Place  
London SW2 2AL  
Tel: +44 (0)20 8683 9930  
Fax: +44 (0)20 8683 9940  
info@rhform.co.uk  
www.rhchairs.co.uk



**Our environmental and quality policy**  
All chairs from RH are 100 per cent recyclable. We also provide assistance in recycling. Just contact us and we'll take care of the rest. How many other chair companies can say that? RH Form AB holds both ISO 14001 environmental certification and ISO 9001 quality certification.